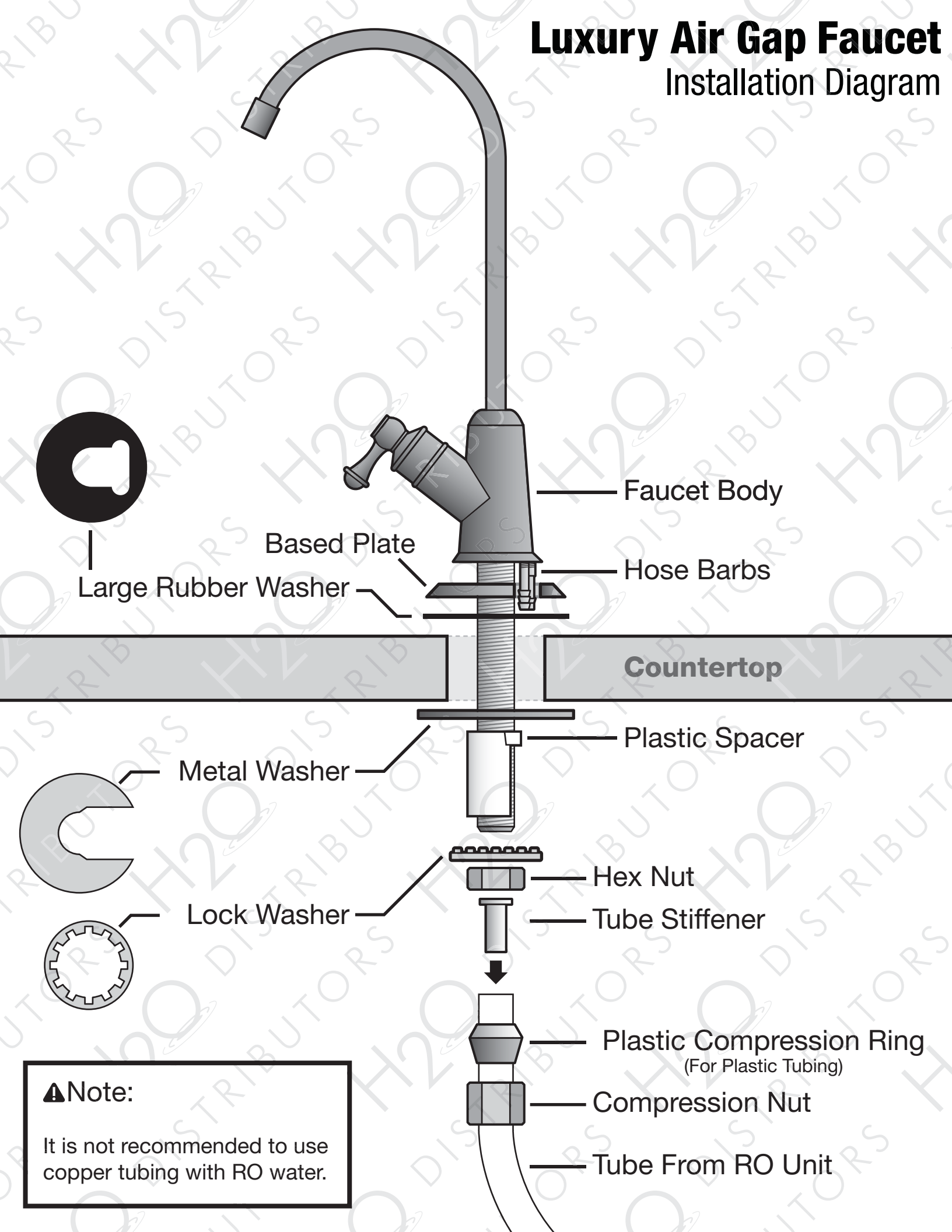


# Luxury Air Gap Faucet

## Installation Diagram



Large Rubber Washer

Based Plate

Faucet Body

Hose Barbs

Countertop

Metal Washer

Plastic Spacer

Lock Washer

Hex Nut

Tube Stiffener

Plastic Compression Ring  
(For Plastic Tubing)

Compression Nut

Tube From RO Unit

**▲Note:**  
It is not recommended to use copper tubing with RO water.