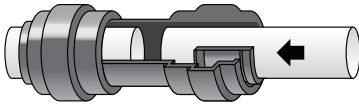


# UCF-03-38-SYSTEM

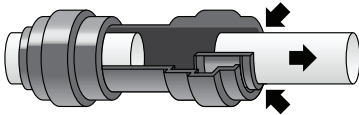
## Quick-Connect Installation

### 1.) HOW TO CONNECT QUICK-CONNECT FITTINGS

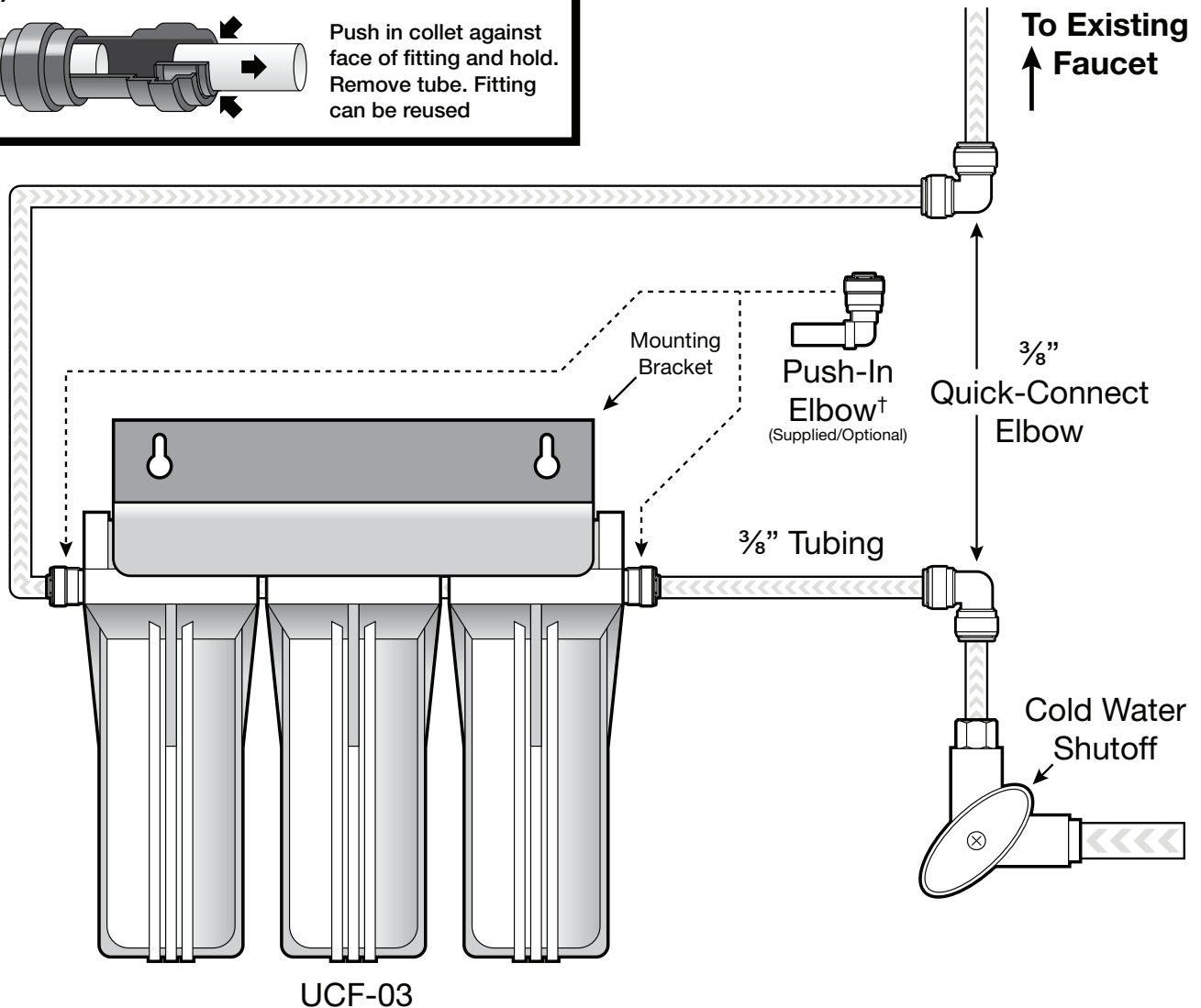


Insert tube and push through the o-ring to the tube stop

### 2.) HOW TO DISCONNECT FITTINGS



Push in collet against face of fitting and hold. Remove tube. Fitting can be reused



### Enclosed Parts List:

- (1) 6' × 3/8" Tubing
- (2) 3/8" × 3/8" Quick-Connect Elbows
- (1) Housing Wrench
- (2) Push-In Elbow Fittings†
- (1) 3/8" Brass Compressions Fitting
- (2) 3/8" Plastic Compression Ring
- (2) 3/8" Plastic Compression Sleeve

### Replacement Parts:

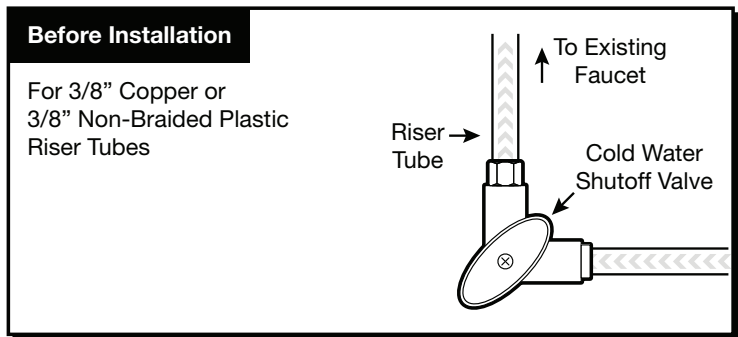
† Use of the push-in elbow fittings is optional to create swivel elbow if desired.

# UCF-03-38 SYSTEM

## Quick-Connect Installation

### UCF-03-38-System Installation Instructions For 3/8" copper or plastic, non-braided tubing

1. Shut-off cold water supply at the cold water shut-off valve.
2. Relieve the pressure by opening the cold water faucet on the sink.
3. (Optional) Mount the filter to the side of the cabinet with 2 screws. (Not supplied)
4. Cut riser tube a few inches above the cold water shut-off valve using a copper tubing cutter, plastic tubing cutter or razor knife. Make sure tubing has straight cuts on each end.
5. Cut supplied 3/8 plastic tubing into 2 equal lengths.
6. Connect a supplied 3/8 quick-connect elbow fitting to each length of 3/8 tubing. See diagram.
7. Connect the other side of 3/8 quick-connect elbows to each tube end created by the cut made in the riser tube.
8. Connect a length of tubing between the riser tube connected to cold water shut-off, using 3/8" Quick-Connect elbow fitting. Connect the other end of tubing to filter inlet fitting.
9. Connect the other length of tubing between the outlet port of the filter and the riser tube that goes up to the faucet.
10. Turn on the cold water and flush water through the system for 5 minutes.
11. Turn off the faucet and check all connections for leaks.

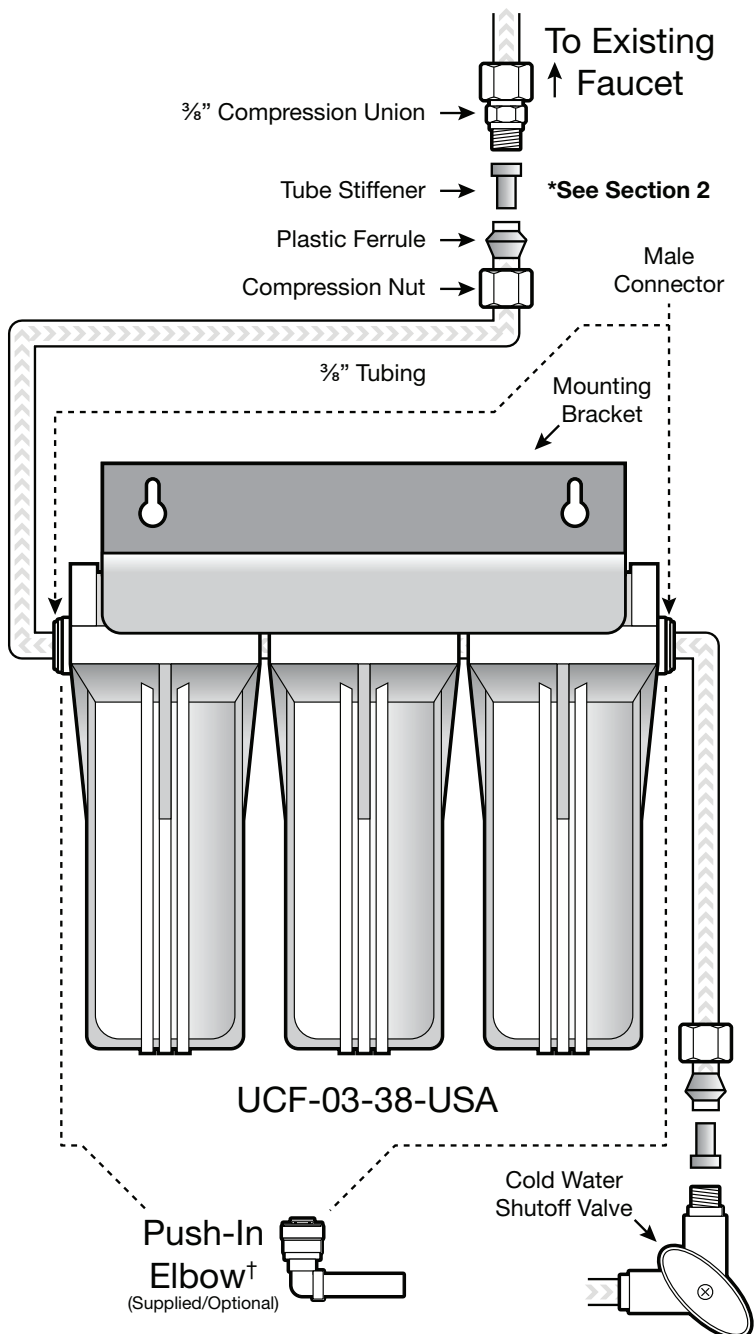
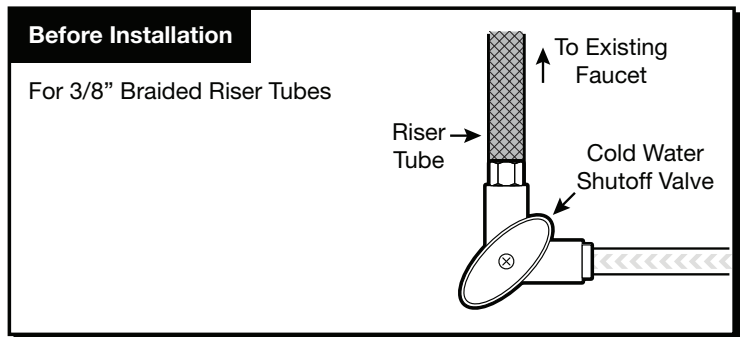


# UCF-03-38 SYSTEM

## Compression Installation

### Installation Instructions for 3/8" braided tubing using 3/8" Compression Union

1. Shut-off cold water supply at the cold water shut-off valve.
2. Relieve the pressure by opening the cold water faucet on the sink.
3. (Optional) Mount Filter to side a cabinet with 2 screws (not supplied).
4. Loosen 3/8" compression nut from the top of the cold water shut-off valve.
5. Move riser tube away from cold water shut-off valve.
6. Cut supplied 3/8 plastic tubing into 2 lengths.
7. Connect one length of 3/8 plastic tubing to the top of the cold water shut-off valve (see diagram) and the other end to the inlet port of the filter (see diagram).
8. Connect a length of tubing between the riser tube connected to cold water shut-off, using 3/8" Quick-Connect elbow fitting. Connect the other end of tubing to filter inlet fitting.
9. Connect outlet tubing to the riser tube using the supplied 3/8" brass compression union (see diagram).
10. Turn on the cold water and flush water through the system for 5 minutes.
11. Turn off the faucet and check all connections for leaks.



### Section 2: Compression Fitting

Step 1. Slide compression nut and sleeve (small side first) over tube.

Step 2. Insert tube stiffener into end of the tube.

Step 3. Insert tube into compression fitting and slide sleeve & nut up to threads.

Step 4. Hand tighten & then tighten with a wrench until sleeve is slightly visible through nut.