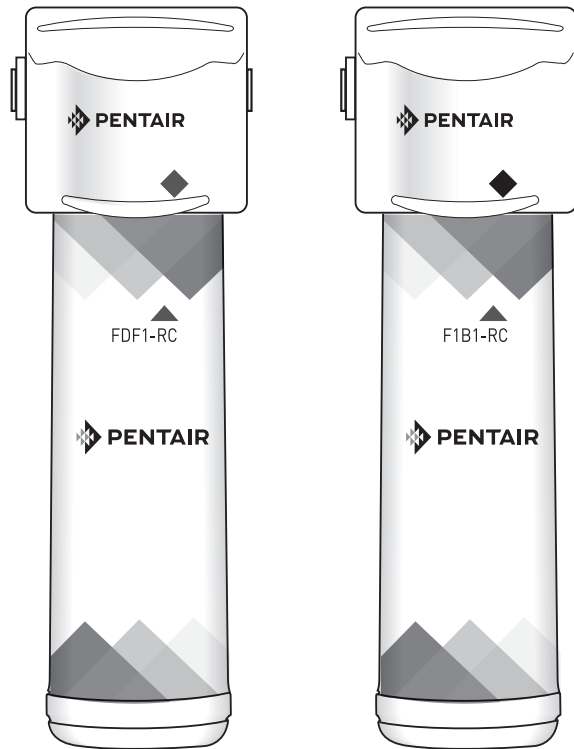




F1000-DFB, F1000-B1B FILTRATION SYSTEM INSTRUCTION MANUAL



SPECIFICATIONS

Temperature Range:40-100°F (4.4-37.8°C)
Pressure Range:40-100 psi (2.75-6.89 bar)
Service Flow Rate @ 60 psi (4.1 bar):
Model: F1000-DFB0.75 gpm (2.83 L/min)
Model: F1000-B1B0.6 gpm (2.27 L/min)
Rated Service Life:
Model: F1000-DFB750 gallons (2,839 L)
Model: F1000-B1B750 gallons (2,839 L)
Dimensions: 12.25" x 3.5" x 4.8"
(311mm x 90mm x 122mm)
Weight:
Model: F1000-DFB (system only)..... 1.6 lbs (0.72 kg)
Model: F1000-B1B (system only)..... 1.8 lbs (0.81 kg)

PARTS INCLUDED

- Filter System with Cartridge
- Installation Hardware Kit
- Lead-free drinking water faucet
- 3/8" (white and blue) plastic tubing

PRECAUTIONS

⚠ WARNING: Do not use with water that is microbiologically unsafe or of unknown quality without adequate disinfection before or after the system. Systems certified for cyst reduction may be used on disinfected waters that may contain filterable cysts. Chemical and mechanical reduction unit.

CAUTION System must be protected against freezing, which can cause cracking of the filter and water leakage.

NOTE:

- For cold water use only.
- Make certain that installation complies with all state and local laws and regulations.
- The system must be maintained according to manufacturer's recommendations, including replacement of filter cartridges. The contaminants or other substances removed or reduced by the selected cartridge are not necessarily in your water. Ask your local water municipality for a copy of their water analysis, or have your water tested by a reputable water testing lab.
- After prolonged periods of non-use (such as during a vacation) it is recommended that the system be flushed thoroughly. Let water run for 5–6 minutes before using.
- The filter cartridges used with this system have a limited service life. Changes in taste, odor, and/or flow of the water being filtered indicate the cartridge should be replaced.

CALIFORNIA PROPOSITION 65 WARNING

⚠ WARNING: This product contains chemicals known to the State of California to cause cancer or birth defects or other reproductive harm.

TOOLS AND MATERIALS REQUIRED

- Safety glasses
- Adjustable wrench
- Tube cutter or utility knife
- Hand or electric drill (cordless recommended)
- File
- 1/4" drill bit

If sink does not have hole for separate faucet:

- Center punch
- 3/4" drill bit or hole saw
- 3/32" drill bit

INSTALLATION

NOTE:

- For standard under-sink installation on 1/2" 14 NPS threads or 3/8" x 3/8" compression
- Please read all instructions and precautions before installing and using your Filtration System
- Numbered diagrams correspond with numbered steps

1. Installing the Water Supply Adapter

The supply adapter fits 1/2"-14 NPS supply threads or 3/8" x 3/8" compression. If local codes permit, it may be used to connect the system to the cold water supply line. If local codes do not permit the use of the supply adapter, alternate connectors can be obtained from your local supplier.

- Turn off cold water supply line. If cold water line does not have a shut-off valve under the sink, you should install one.
- Turn on the cold water faucet and allow all water to drain from line.
- Disconnect riser cold water supply valve.
- Ensure the sealing gasket is fully seated into the feed adapter valve female thread.
- Install feed adapter valve onto supply valve. Hand tighten only.
- Connect the riser to the feed adapter valve.

NOTE: See Figures 1G-1H for configuring the feed adapter to 3/8" x 3/8" compression connections.

2. Selecting the Faucet Location

NOTE: The drinking water faucet should be positioned with function, convenience, and appearance in mind. An adequate flat area is required to allow faucet base to rest securely. The faucet fits through a 3/4" hole. Most sinks have pre-drilled 1-3/8" or 1-1/2" diameter holes that may be used for faucet installation. If these pre-drilled holes cannot be used or are in an inconvenient location, it will be necessary to drill a 3/4" hole in the sink to accommodate the faucet.

CAUTION This procedure may generate dust which can cause severe irritation if inhaled or come in contact with the eyes. The use of safety glasses and respirator for this procedure is recommended.

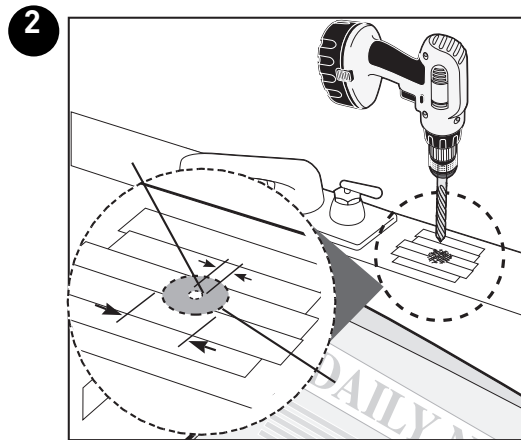
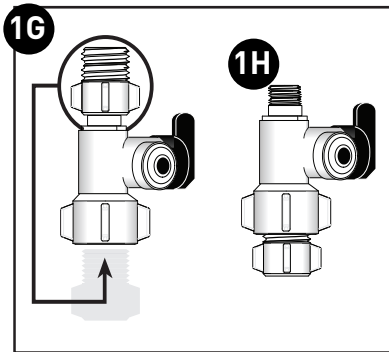
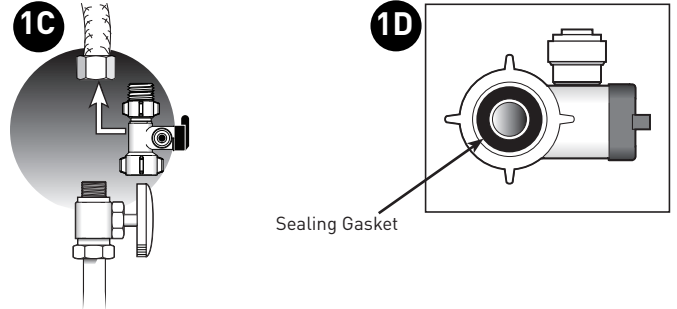
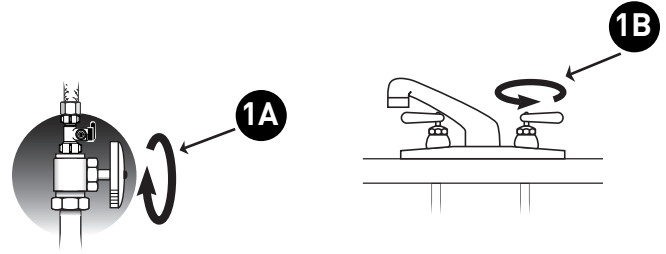
CAUTION DO NOT ATTEMPT TO DRILL THROUGH AN ALL-PORCELAIN SINK. If you have an all-porcelain sink, mount the faucet in pre-drilled sprayer hole or drill through countertop next to sink.

CAUTION When drilling through a countertop, make sure the area below the drilled area is free of wiring and piping. Make certain you have ample room to make the proper connections to the bottom of the faucet.

CAUTION Do not drill through a countertop that is more than 1" thick.

CAUTION Do not attempt to drill through a tiled, marble, granite or similar countertop. Consult a plumber or the countertop manufacturer for advice or assistance.

- Line bottom of sink with newspaper to prevent metal shavings, parts, or tools from falling down the drain.
- Place masking tape over the area to be drilled to prevent scratches if drill bit slips.
- Mark hole with center punch. Use a 1/4" drill bit to drill pilot hole.
- Use a 3/4" drill bit and drill a hole completely through sink.
- Smooth rough edges with a file.



INSTALLATION CONTINUED

3. Mounting the Faucet

- Apply 3-5 wraps of plumber tape to faucet stem.
- Assemble faucet as shown in (Figure 3).
- Screw quick connector onto threaded end of faucet stem.
- Place a mark 5/8" from one end of the blue tubing. Wet the end of the 3/8" tube and push into bottom of connector. The 5/8" mark should be flush with the collar of the connector.

NOTE: To remove the tube, push on the fittings' collar and pull the tube out.

- Holding the faucet, feed the tubing through the hole in the sink. Position the faucet handle at a desired location.
- Center the faucet and slip slotted disc between the bottom of the counter or sink and lock washer. Tighten the stem nut with a wrench until it is tight.
- Firmly insert spout into faucet base.

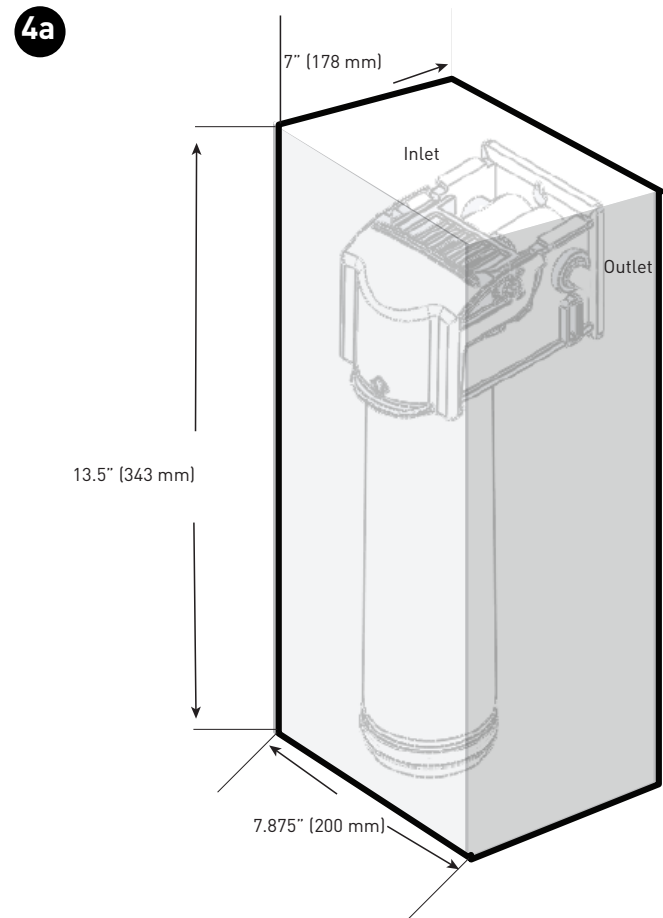
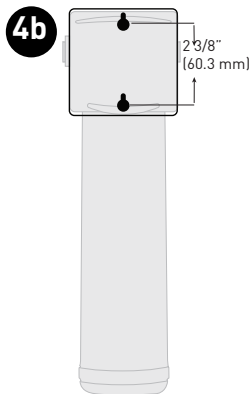
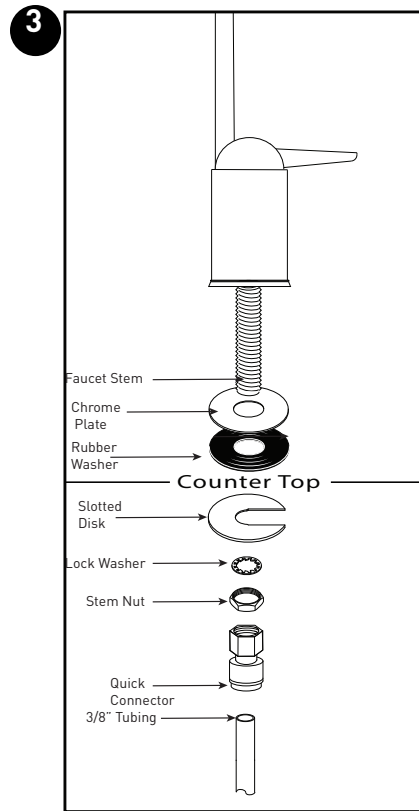
4. Mounting the System

- Select a location under the sink, or other suitable area where the system will be installed.

NOTE: The system carton can be used to determine the operational footprint required for installation of the system and replacement cartridges. (Figure 4a)

- Mount the system vertically. Dimensions in the diagram allow for cartridge or system removal. Ensure mounting is level. Use the 3/32" drill bit to create pilot holes for the mounting (Figure 4b).

⚠ WARNING: The system should be mounted to a firm, solid surface that is able to support the weight of the system.



INSTALLATION CONTINUED

5. Connecting the Faucet to the System

- A. Determine the length of plastic blue tubing needed to connect to the outlet (right) side of the filter from the faucet. Be sure to allow enough tubing to prevent kinking and cut the tubing squarely. Use a marker to mark one end of the tubing 5/8" from the end (Figure 5). Wet the end of the 3/8" tube and push into the outlet (right) connection of the system up to the mark.

CAUTION Do not bend or crimp tube inserting.

- B. Gently pull back on the tube to ensure it is connected properly.

6. Connecting the Supply Adapter

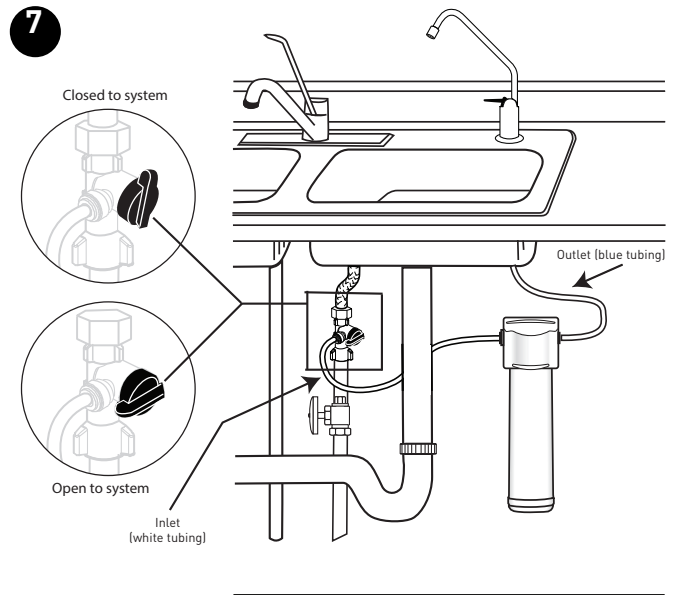
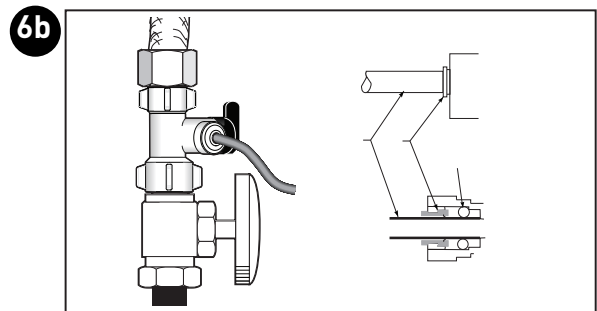
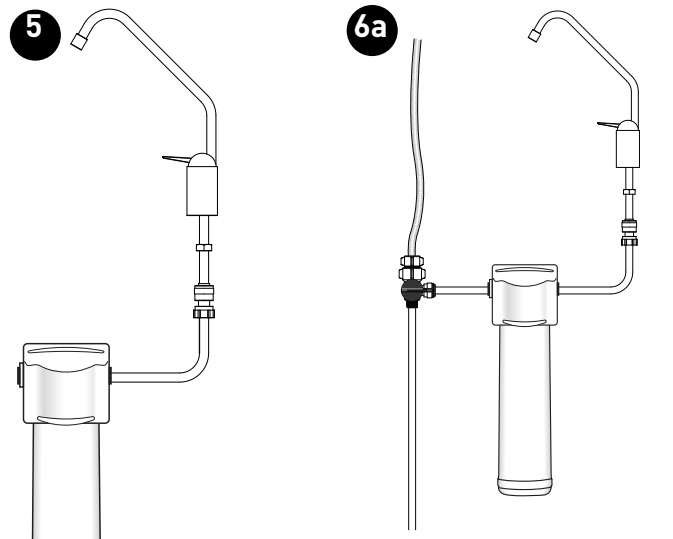
- A. Determine the length of plastic white tubing needed to connect the inlet (left) side of the filter with the feed adapter installed on the cold water supply line. Be sure to allow enough tubing to prevent kinking and cut the tubing squarely. Place a mark 5/8" from one end of the tubing. Wet the end of the tubing. Insert the end of the tubing into the 3/8" fitting of the inlet supply adapter. The 5/8" mark should be flush with the collar of the fitting located on the inlet supply adapter (Figure 6a).
- B. Mark the remaining end of the tubing. Use a marker to mark 5/8" from the end. Wet the end of the tube. Insert the end into the feed connection on the inlet side (left) of the system. The tube should go in up to the mark. (Figure 6b).

7. Placing the System into Operation

- A. Slowly turn on the cold water supply. Ensure that the feed adapter valve is also open.
- B. Open faucet and flush filter for 10 minutes. Discard water.
- C. Check for leaks at all fittings before leaving installation. If leaks appear, see Troubleshooting.

NOTE: A drinking water cartridge may contain carbon fines (very fine black powder). If carbon fines appear in the water, discard water. More flushing is required if carbon fines are present.

NOTE: Initially, filtered water may appear cloudy. If cloudiness in a glass of water disappears from the bottom; fine air bubbles are present. This air within the water will disappear within a few weeks after installation.



INSTALLATION IS NOW COMPLETE.

FILTER CARTRIDGE REPLACEMENT

NOTE: The life of the filter cartridges depends on water volume used and the quality of the feed water. It is recommended that the filter cartridges be replaced every 6-12 months, or when there is a noticeable change in taste, odor, or flow of filtered water.

Ensure the correct cartridge is purchased for the system.

Model F1000-DFB uses FDF1-RC Replacement Cartridge

Model F1000-B1B uses F1B1-RC Replacement Cartridge

8. Cartridge Replacement

- A. Relieve pressure by turning off the water supply to the system and opening a faucet until water flow stops. Place a bucket or towel under the system to catch any water drips (Figure 8a).
- B. Lift the locking bar upward until the filter cartridge disengages from the filter head assembly (Figure 8b).
- C. Pull the cartridge away from the filter head assembly and ensure the locking bar remains in the fully up position (Figure 8c).
- D. Align the posts on the filter cartridge with the ports in the filter head assembly. Slide the cartridge filter towards into the filter head assembly engaging with the locking bar causing it to drop forward and down. (Figure 8d).
- E. Pull down the locking bar until it snaps into place (Figure 8e).

NOTE: See **Placing the System into Operation** section for remaining steps.

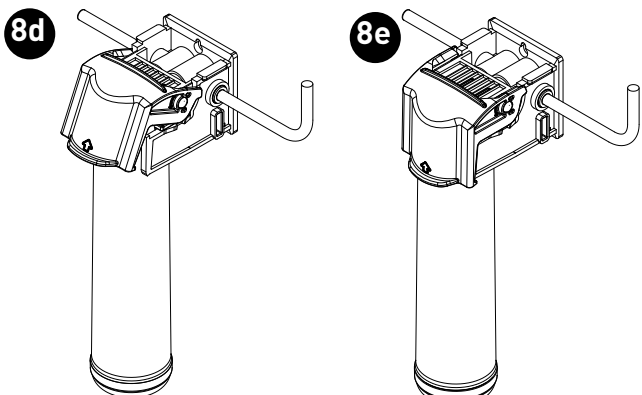
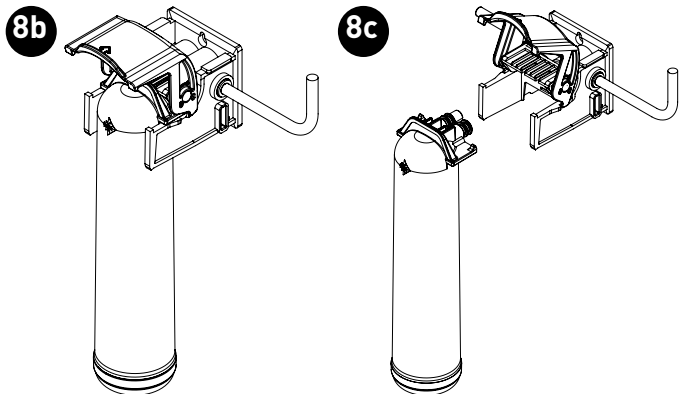
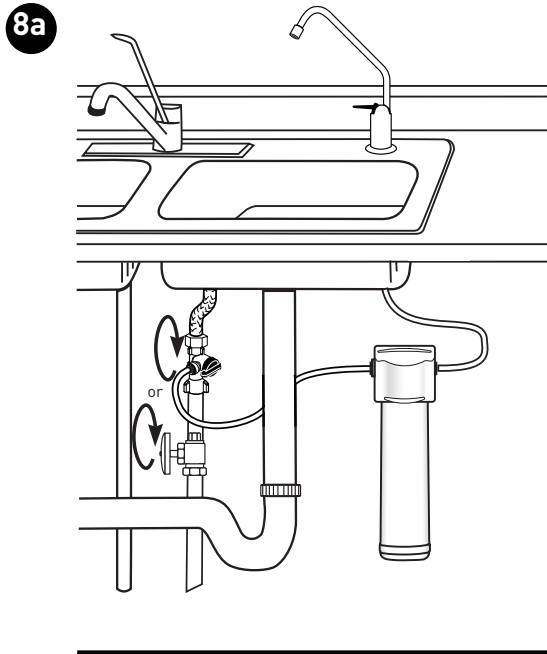
TROUBLESHOOTING

Leaks between filter head assembly and filter cartridge

1. Relieve pressure by turning off the water supply to the system and opening faucet until water flow stops. Place a bucket or towel under the system to catch any water drips.
2. Remove cartridge and inspect O-rings to make sure they are seated and clean.
3. Install filter cartridge. Place system into operation and check for leaks. If leaks persist, turn off the water supply and contact Technical Support at 1-800-279-9404.

Leaks from tubing fittings

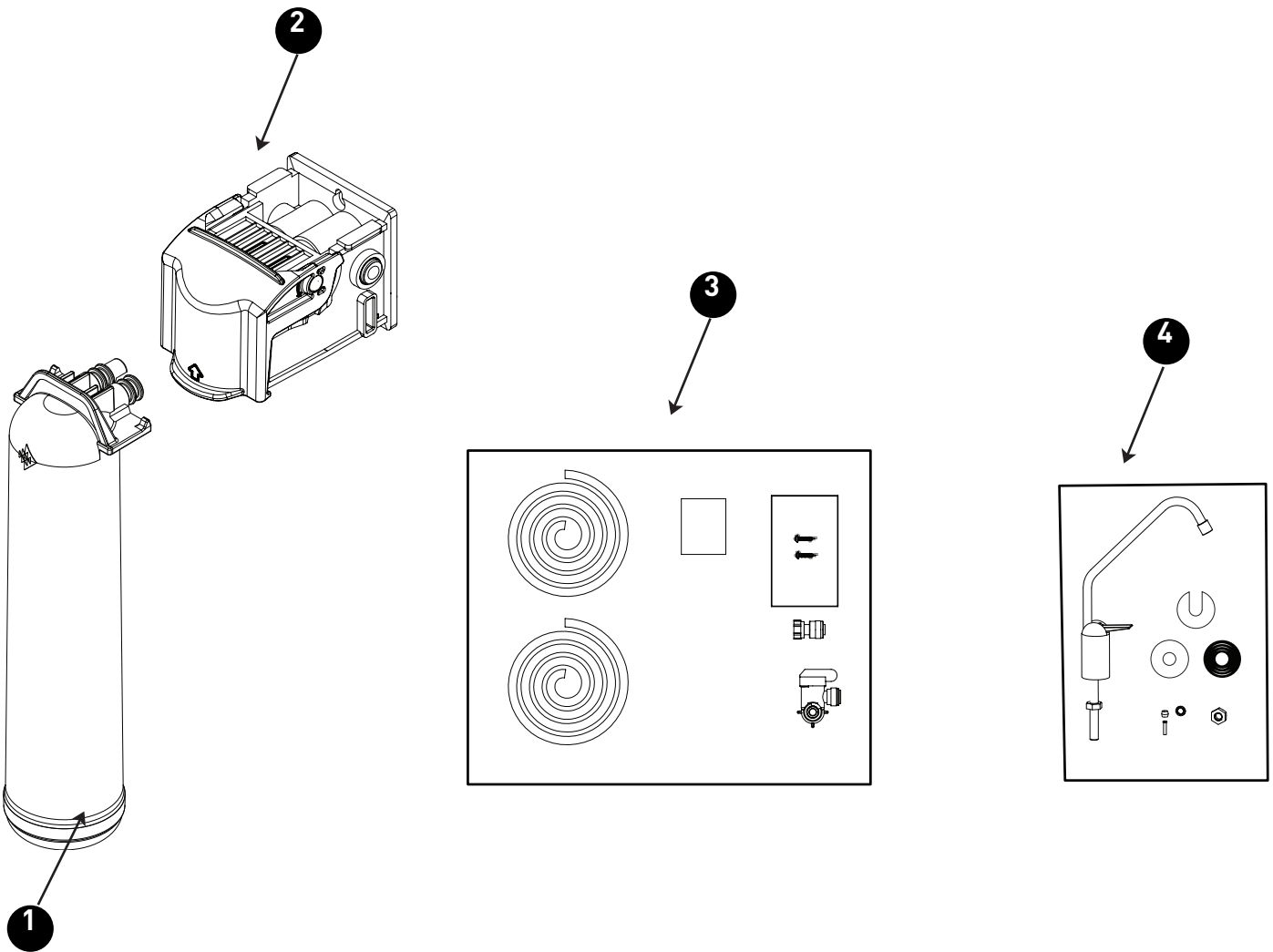
1. Relieve pressure by turning off the water supply to the system and opening faucet until water flow stops. Place a bucket or towel under the system to catch any water drips.
2. Depress collet on system or inlet supply adapter tubing fittings and pull tubing from fitting. Inspect surface of tubing for scratches or debris. Clean or cut back tubing to access clean surface.
3. Wet the end of the inlet tubing and press into the inlet fitting of the system. Ensure the tubing is fully pushed past the fitting O-rings. Place system into operation and check for leaks. If leaks persist, turn off the water supply and contact Technical Support at 1-800-279-9404.



REPLACEMENT PARTS

ITEM NUMBER	PART NUMBER	DESCRIPTION	QUANTITY REQUIRED
1	655123-96	Cartridge, FDF1-RC	1
	655120-96	Cartridge, F1B1-RC	1
2	4004601	Filter Head, Model F1000-DFB	1
	4004602	Filter Head, Model F1000-B1B	1
3	4004294	Installation Kit	1
4	244960*	Faucet	1

*Image may be different than actual faucet



For replacement parts, contact your nearest Pentair distributor or call 800.279.9404

PERFORMANCE DATA

Important Notice: Read performance data and compare the capabilities of the system with your actual water treatment requirements. It is recommended that the supply water be tested, before installing a water treatment system, to determine your water treatment needs.

Test Conditions

Flow Rate

F1000-DFB = 0.75 gpm (2.83 L/min)
F1000-B1B = 0.60 gpm (2.27 L/min)

Filter Capacity

F1000-DFB = 750 gallons (2839 L)
F1000-B1B = 750 gallons (2839 L)
Inlet Pressure = 60 psi (4.1 bar)
Temperature = 68°F +/- 5°F (20°C +/- 2.5°F)

Testing was performed under standard laboratory conditions, actual performance may vary.

Operating Requirements for F1000-DFB and F1000-B1B Systems:

Pressure = 40-100 psi (2.75-6.89 bar)
Temperature = 40-100°F (4.4-37.8°C)

F1000-DFB SYSTEM INSTALLED WITH FDF1-RC FILTER CARTRIDGE

This system has been tested according to NSF/ANSI 42 for reduction of the substances listed below. The concentration of the indicated substances in water entering the system was reduced to a concentration less than or equal to the permissible limit for water exiting the system, as specified in NSF/ANSI 42.

Model F1000-DFB

Substance	Influent Challenge Concentration	Max. Permissible Product Water Concentration	Reduction Requirements	Minimum Reduction	Average Reduction
Standard 42					
Chlorine Taste & Odor	2.0 mg/L ± 10%		≥ 50%		88.8%

Flow Rate = 0.75 gpm (2.8 L/min); Capacity = 750 gallons (2839 L) or 12 months

Testing was performed under standard laboratory conditions, actual performance may vary.

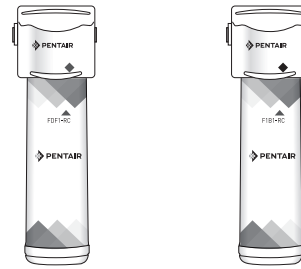


The Model F1000-DFB is Tested and Certified by NSF International against NSF/ANSI Standard 42 for the reduction of substances specified on the Performance Data Sheet.

CARTRIDGE SEQUENCE

F1000-DFB

F1000-B1B



F1000-B1B SYSTEM INSTALLED WITH F1B1- RC FILTER CARTRIDGE

This system has been tested according to NSF/ANSI 42 and 53 for reduction of the substances listed below. The concentration of the indicated substances in water entering the system was reduced to a concentration less than or equal to the permissible limit for water exiting the system, as specified in NSF/ANSI 42 and 53.

Model F1000-B1B

Substance	Influent Challenge Concentration	Max. Permissible Product Water Concentration	Reduction Requirements	Minimum Reduction	Average Reduction
Standard 42					
Chlorine Taste & Odor	2.0 mg/L ± 10%		≥ 50%		95.9%
Particulates (0.5- < 1µM) Class 1*	at least 10,000 particulates/mL		> 85%		97.9%
Standard 53					
Cysts **	Minimum 50,000/L		99.95%	99.97%	99.99%
Atrazine	0.009 mg/L ± 10%	0.003 mg/L		90.5%	93.7%
Lead [pH 6.5]	0.15 mg/L ± 10%	0.010 mg/L		99.3%	99.9%
Lead [pH 8.5]	0.15 mg/L ± 10%	0.010 mg/L		99.3%	99.6%
Lindane	0.002 mg/L ± 10%	0.0002 mg/L		94.8%	97.4%

Flow Rate = 0.6 gpm (2.2 L/min); Capacity = 750 gallons (2839 L) or 12 months

Testing was performed under standard laboratory conditions, actual performance may vary.

* Reduces particles as small as 0.5-1 micron in size by mechanical means

** NSF/ANSI Standard 53 certified to reduce cysts such as Cryptosporidium and Giardia by mechanical means.



The Model F1000-B1B is Tested and Certified by NSF International against NSF/ANSI Standard 42 and 53 for the reduction of substances specified on the Performance Data Sheet.

For Pentair Product Warranties visit: }
Pentair para las garantías de los productos visite: } waterpurification.pentair.com
Pour Pentair garanties produit visitez le site : }



WATER QUALITY SYSTEMS

5730 NORTH GLEN PARK ROAD, MILWAUKEE, WI 53209

P: 262.238.4400 | WATERPURIFICATION.PENTAIR.COM | CUSTOMER CARE: 800.279.9404 | tech-support@pentair.com

[§]For a detailed list of where Pentair trademarks are registered, please visit waterpurification.pentair.com/brands.

Pentair trademarks and logos are owned by Pentair plc or its affiliates. Third party registered and unregistered trademarks and logos are the property of their respective owners.

4003609 REV B SE16 © 2016 Pentair Residential Filtration, LLC All Rights Reserved.