

# Shelco Filters®

FLD Housing™

SINGLE ELEMENT HOUSING SERIES

Stainless steel high-flow filter housing

**NEW!**



Once again, Shelco introduces a first-of-its kind – the first all stainless steel high-flow filter housing for the filtration market. The stainless steel make up allows for higher temperatures and pressures, will not shrink the way plastic does, and will not degrade or become brittle over time. Our versatile high-flow Housing features greater dirt-holding capacity, with in-and-out connections that are easier to install. These housings use a single cartridge – unlike other housings that use more filters – making them the efficient and durable choice for commercial and industrial filtration needs.

## Features

- DURABLE – Will not shrink or degrade
- IN-LINE FITTINGS - For easy installation
- HANDLES HIGH PRESSURES AND TEMPERATURES – As a result of our stainless steel construction
- HIGHER DIRT-HOLDING CAPACITY – Even as the differential pressure increases
- STANDARD BUNA-N GASKET MATERIALS AND MOUNTING BRACKET – Allowing for compatibility and ease of use
- MAXIMUM PRESSURE RATING – 150 psi @200° F

## Applications

- RO prefilters • Food & beverage • Potable water • Plating solutions • Electronics
- Wastewater • Photographic & chemical solutions • Commercial & residential applications

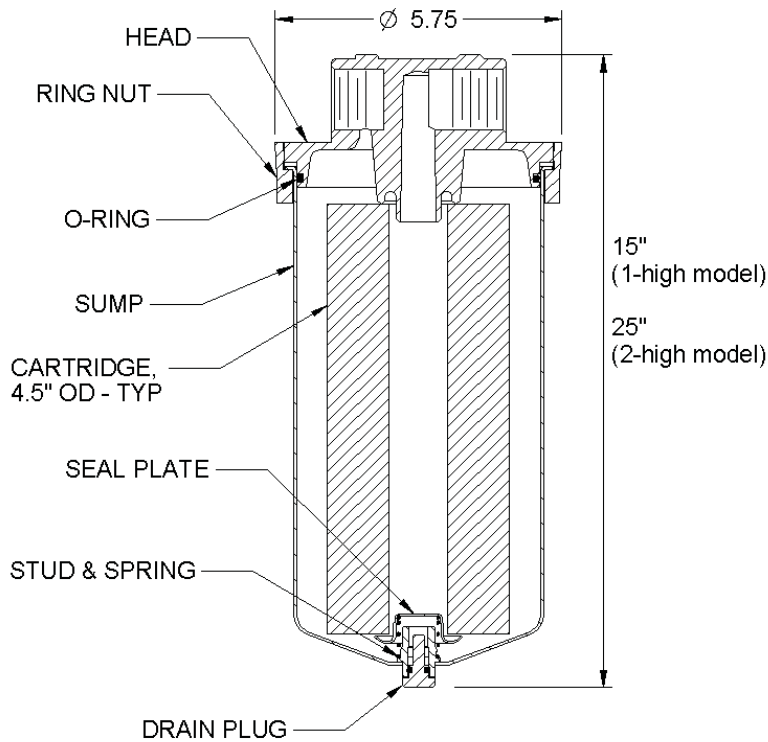


# Ordering Guide Info for FLD Housing Sell Sheet

FLD	78-	8-	316	BSPP-	EPR
MODEL	CATRIDGE LENGTH	PIPE SIZE FNPT	OPTIONAL MATERIAL	OPTIONS	GASKET
FLD	78 = 9 3/4" or 10" 80 = 20"	8 = 1" 9 = 1 1/2"	Blank = 304L 316 = 316L	Blank = FNPT BSPP = BSP Parallel Thread BSPT = BSP Tapered Thread *Vent = Vent Screw *GP4 = 1/4" gauge port	Blank = Buna EPR = Ethylene Propylene V = Viton

Mounting bracket and wrench included

\*When ordering Vents or gauge ports you must specify location I = Inlet, O = Outlet and I/O = Inlet & Outlet. Example GP4I or GP4I/O.



## Shelco also offers:

High Purity Melt Blown Cartridges  
Carbon Cartridges  
String wound Cartridges  
Pleated Cartridges

And a complete line of filter housings to meet your flow rate specifications.

Our manufacturing and fulfillment processes flow as smoothly as the liquids we filter. That's why we can get your order to you on time – even when it's a special order.

**Shelco Filters** has grown to become an international supplier of filter cartridges and housings to customers who rank among the Fortune 100. We feature one of the most extensive product lines in the liquid filtration industry – and can easily customize stock housings to any specifications and private labeling. All at high quality and unbeatable value.



**SHELCO FILTERS®**

100 BRADLEY STREET / MIDDLETOWN, CT 06457 / U.S.A.

Tel: 800-543-5843 or 860-854-6121 / Fax: 860-854-6120 / E-Mail: [info@shelco.com](mailto:info@shelco.com) / Web Site: [www.shelco.com](http://www.shelco.com)

Bulletin: FLD-A00.01  
© 2008 Shelco Filters®

MicroSentry™, Shelco Filters®, and the Shelco Filters logo are registered trademarks of the Tinny Corporation.  
Shelco Filters® is a division of the Tinny Corporation